



Safety Instructions



1, 2, 3, 4, 5, 6, 7, 8,
9, 11, 12, 13, 14, 15, 16,
17, 18, 19, 21, 22, 23, 25,
28b, 29, 30, 31, 34,

Info Hotline 

+49(0)5041 998 389


Mon.-Do. 7⁰⁰-20⁰⁰

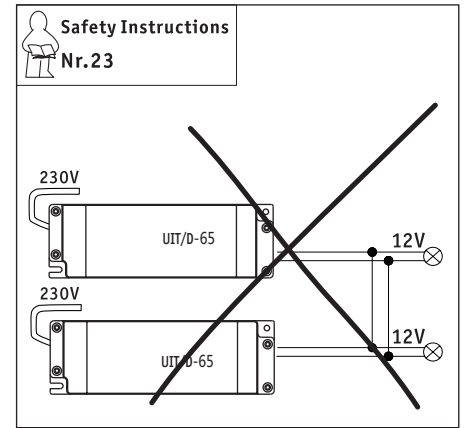
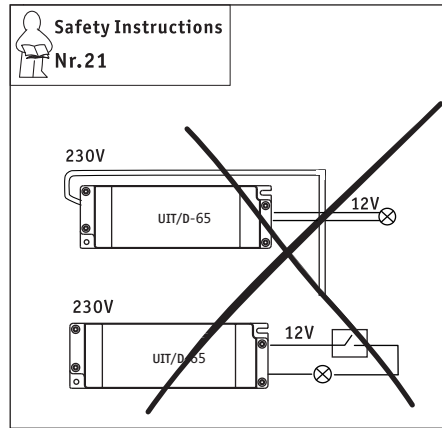
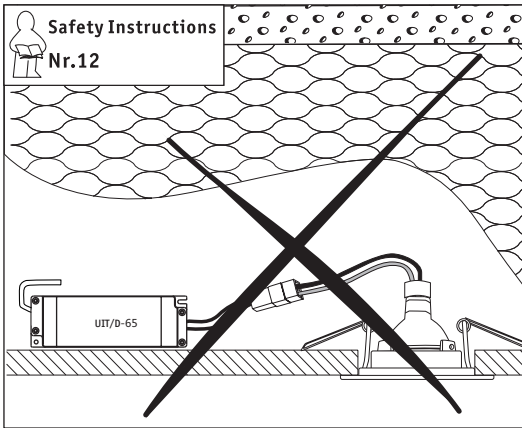
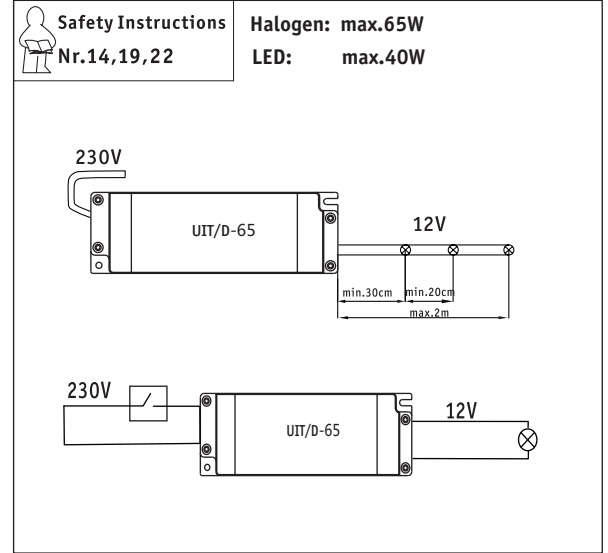
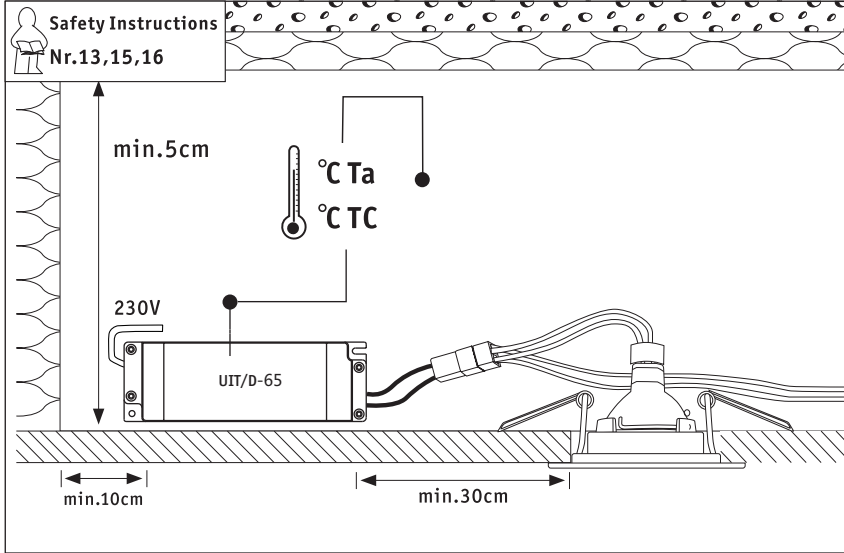
Fr. 7⁰⁰-17⁰⁰





Paulmann Licht GmbH
31832 Springe/Germany
www.paulmann.com

Art.-Nr.:
977.67

(+MA 197)
PCE 02/14 



Transfo UIT/D 65VA

<input type="checkbox"/>	 Safety Instructions Nr.28a/b	<input type="checkbox"/>	<p>Ta: -20...+40°C TC: +85°C</p>	
<input checked="" type="checkbox"/>	 Safety Instructions Nr.28b	<input type="checkbox"/>		
<p>14mm 7mm 230V PRI 12V SEC 14mm 7mm</p>		<p>7mm 14mm 7mm 14mm</p>		
<p><input checked="" type="checkbox"/> H03VVH2-F } 2x <input checked="" type="checkbox"/> H05VVH2-F } 0.75mm²</p>		<p>min.H03VVH2-F 0.75mm²×2</p>		